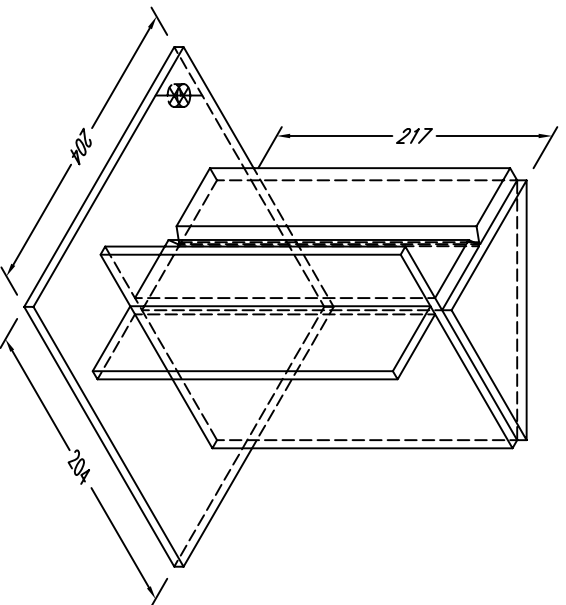
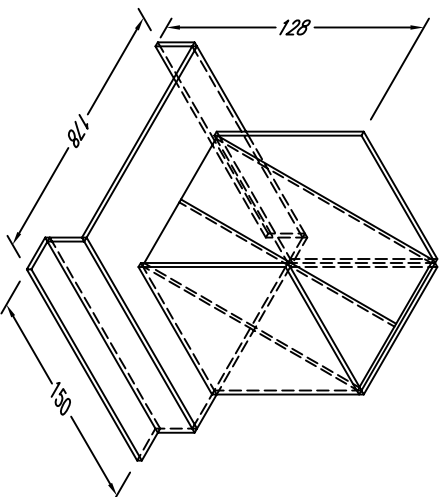


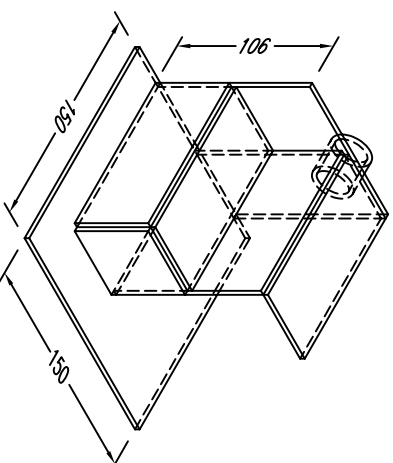
CANADIAN SKILLS COMPETITION 2007
SASKATOON, SK
WELDING PROJECTS
POST SECONDARY



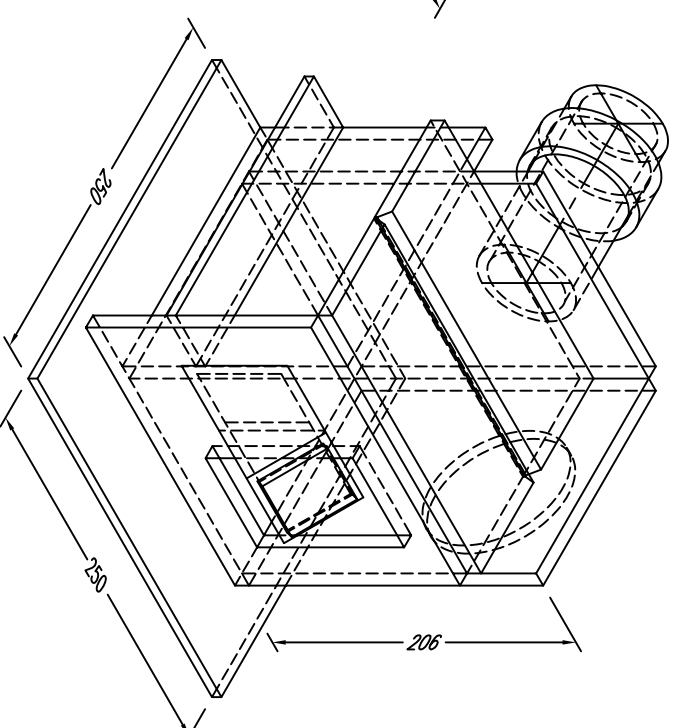
PROJECT #1
MILD STEEL
DAY #1
2 HRS



PROJECT #2
ALUMINUM
DAY #1
1.5 HRS



PROJECT #3
STAINLESS STEEL
DAY #1
1.5 HRS



PROJECT #4
MILD STEEL
DAY #2
6 HRS

THE NATIONAL TECHNICAL COMMITTEE RESERVES THE
RIGHT TO MAKE CHANGES TO THE PROJECTS

ALL DIMENSIONS IN MILLIMETRES.

SKILLS CANADA – POST SECONDARY

DRAWN BY: BERNARD CARON
DATE: 27-03-2007

SCALE: NONE

NO. DRAWING
2007-POST-SEC-PROJ REV.0

DO NOT SCALE DRAWING